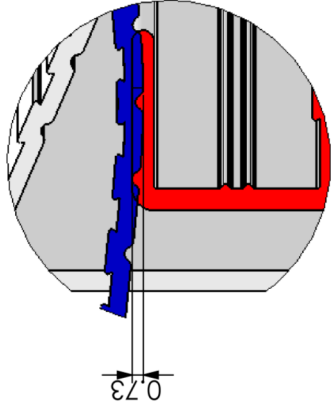


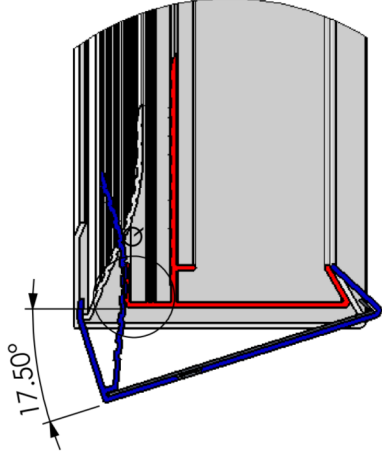
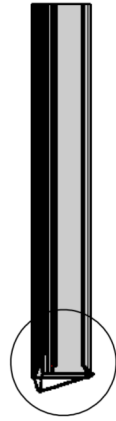
DETAIL Q  
SCALE 2 : 1



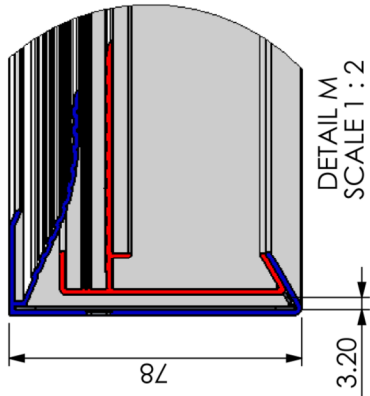
M



N

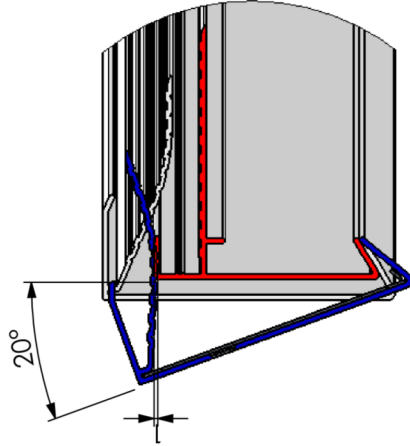
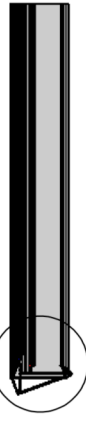


DETAIL N  
SCALE 1 : 2



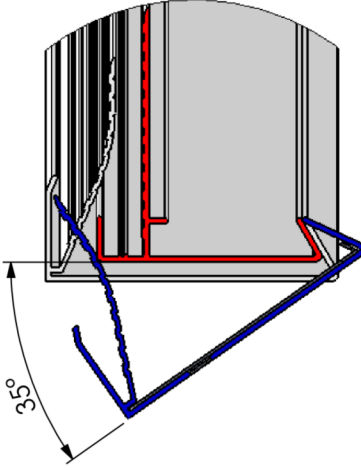
DETAIL M  
SCALE 1 : 2

O



DETAIL O  
SCALE 1 : 2

DETAIL P  
SCALE 1 : 2



	Scale : 1:10	A4	Drawn :	Material :	Remarks :
	Units : mm		Project :	Mass : grams	
	Date :		Filename :	Thickness :	
			Drawing Name :	Finish :	
			Part-Assem number : <b>TCX.01.060.2500.000</b>		
Tel +31 (0)365224777 info@aludex.com			Sheet number : <b>160002</b>		

Working TrimClix overzetdaktrim